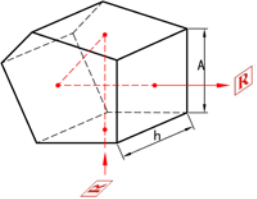
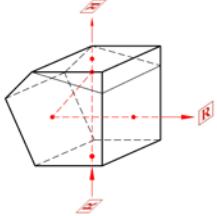
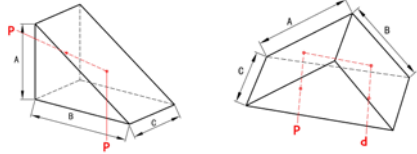
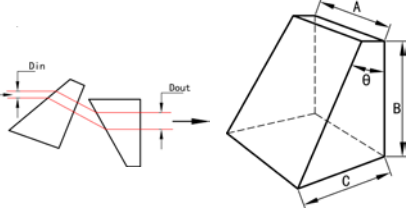
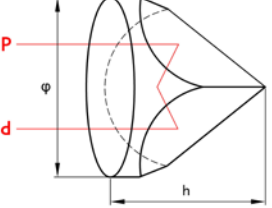
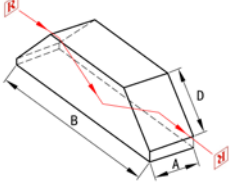
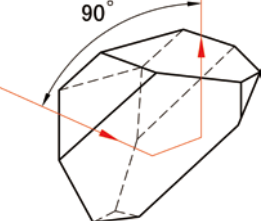


Prism	Illustration	Material	Angle Precision	Application
Penta Prism		BK7	1 min. Deviation 30 Sec. Deviation 10Sec. Deviation	Plumb Level, Surveying, Alignment, Range Finding and Optical Tooling
Beamsplitter Penta Prism		BK7	1 min. Deviation 30 Sec. Deviation 10Sec. Deviation Transmission/ Reflection:20/80 ±5 or 50/50±5	Plumb Level, Surveying, Alignment, Range Finding and Optical Tooling
Right Angle Prism		BK7 Fused Silica	3 Min. Deviation 1 Min. Deviation 30 Sec. Deviation	Plumb Level, Surveying, Alignment, Range Finding and Optical Tooling
Anamorphic Prism		SF11	30 Sec. Deviation	For Beam Expansion
Corner Cube Retroreflectors		BK7	3 Sec. Deviation 5 sec. Deviation	Plumb Level, Surveying, Alignment, Range Finding and Optical Tooling
Dove Prism		BK7	3 Min. Deviation	Medical Instrument, Optical Tooling and Other Optical Systems
Roof Prism		BK7	3 Sec. Deviation 5 sec. Deviation	Medical Instrument, Optical Tooling and Other Optical Systems